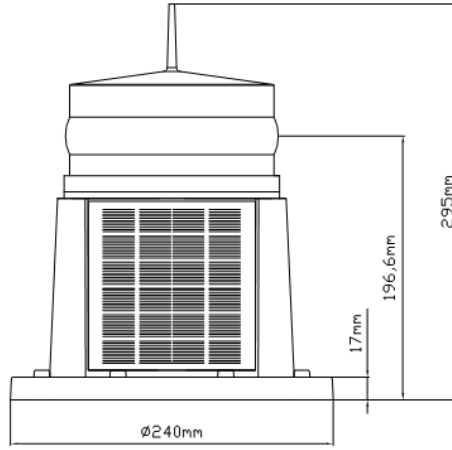


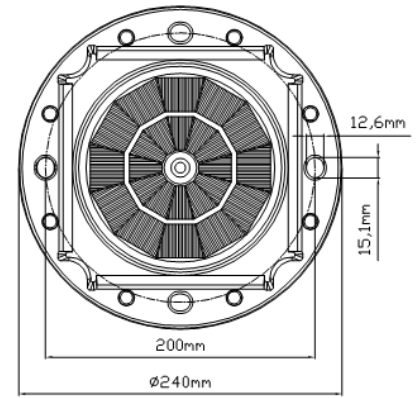
VJA-370



Side view



Top view



**SPECIFICATIONS\***

<b>Viewing Range**</b> ( <i>Transmissivity of 0.74</i> )	Up to 4 Nautical Miles	
<b>Vertical Divergence</b>	> 8°	
<b>Operation</b>	Flash Accuracy	± 0,01%
	Autonomy*** ( <i>at full charge</i> )	> 25 days ( <i>12 hours darkness, 12.5% duty cycle</i> )
	Available Flash Patterns	Up to 282 flash patterns
	Chromatists of Color Output	Meet IALAs & ICAO specification
	Control	Remote Programmer ( <i>optional</i> )
<b>Solar module</b>	Solar Module Type	Mono-Crystalline Silicon (c-Si)
	Output	9.6 Watt
	Solar Module Efficiency	17.5%
<b>Battery</b>	Battery Type	LiFePO4 Rechargeable battery - Environment friendly
	Battery Capacity	18 Ah – 3.2V ( <i>Option 36Ah, 54Ah, 72Ah</i> )
<b>Physical Characteristics</b>	Lens Material	UV Stabilized Polycarbonate or Acrylic
	Body Material	ABS Plastic
<b>Operating environment</b>	Temperature Range	- 40° C to +80° C
	Humidity	0% to 95%
<b>Certification</b>	CE Approval	As per EN 60945:2002
	Water Proof	IP68
	Quality Assurance	ISO 9001:2015
<b>TradeMarks</b>	“VIJALight” and VIJALight logo are trademarks of VIJA Technologies Co., Ltd	
<b>Weight</b>	3.0 kg	

\* May be subject to change at any time

\*\* Actual viewing range is dependant on flash mode, intensity and LED color.

\*\*\* Actual figures for Autonomy depend on the intensity level setting.

**AZMARINE CO.,LTD**

Email: sales@azmarine.vn Tel: +84.938697839

Add: The Verosa Park, 39 Street No. 10, Quarter 2, Phu Huu Ward, Thu Duc City, Ho Chi Minh City, Vietnam

