

SPREADER SP 44 AS

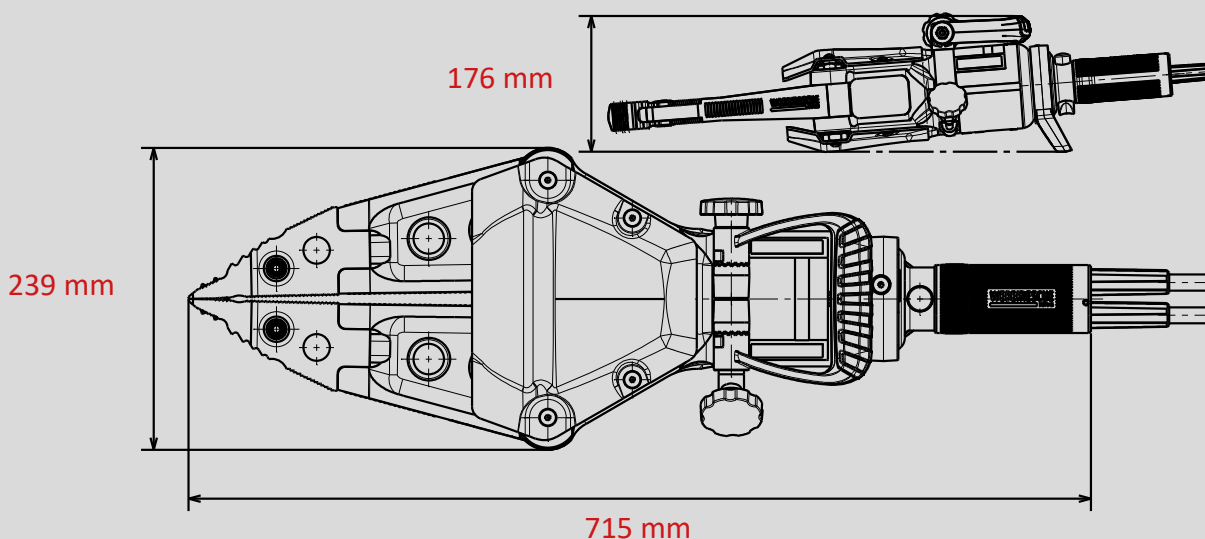
Part no.
1093667



-  **GRIP**
-  **HANDLE**
-  **LIGHTWEIGHT**
-  **PEELING**
-  **PUSH CONTROL**
-  **SINGLE**
-  **X-CHANGE**

Technical specifications:

Spreading width	610 mm
Spreading force (in the working area)	44 - 857 kN
Max. squeezing force	149,0 kN
Pulling width	465 mm
Max. pulling force	68,0 kN
Weight	13,4 kg
Oil demand	0,1 l
Dimensions (LxWxH)	715 x 239 x 176 mm
Nominal pressure	700 bar
EN classification (EN 13204)	AS44/610-13,4



Images are non-binding. We reserve the right to technical modifications.
60004868 (-, -, ALL, 25.06.2020)