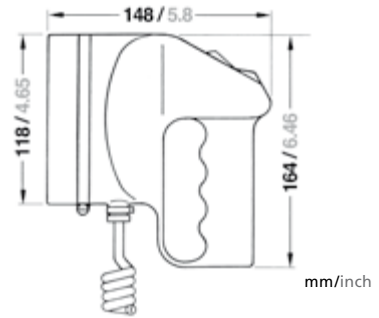


BREMEN



Dimensions in: mm/inch

1



Bremen

Watertight searchlight with morse capability – Two mounting brackets available

Housing

Rubber black, impact and shock resistant, non-corrosive, non-magnetic

Protection degree

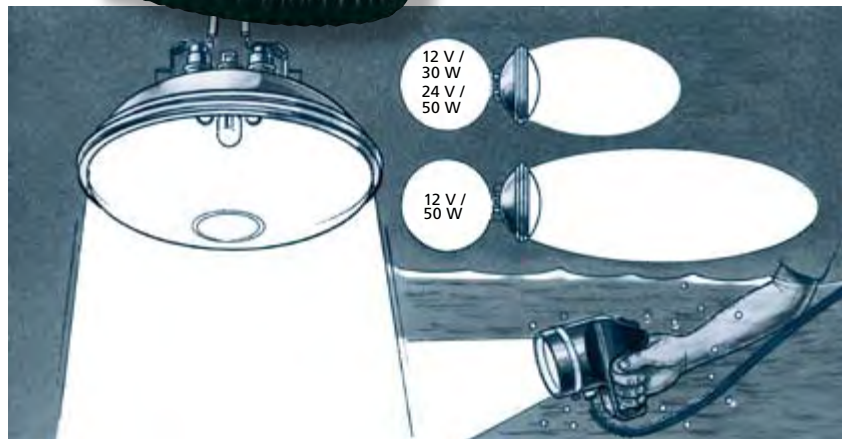
IP 68

Electric

On / off switch, cable 3 m (2 x 0.75 mm²), bulb included

Extras

Delivery without bracket, two mounting brackets available (extra), see drawing



No.	Description	Wattage	Housing colour	Article number 12 V	Article number 24 V
1	Searchlight	30 W	Black	3313002000	
	Searchlight	50 W Halogen	Black	3313004000	
	Searchlight	50 W	Black		3313003000

Spare Parts /*Extras Ersatzteile /*Zubehör Pièces de rechange /*Accessoires

90400175 12V/30W
90400228 12V/50W Halogen
90400202 24V/50W

83313004 12V
83313011 24V

